

Weighing Terminals



IND231 and IND236 Terminal

Basic Weighing

Checkweighing

Counting

Animal Weighing

Weight Accumulation



Cost-Effective Weighing Terminal
No Compromise in Performance

METTLER TOLEDO

Rugged, Operator-Friendly Weighing Terminal Provides a Reliable Solution

- Large LCD display with backlight provides good readability under varying light conditions
- Rugged stainless steel IP66/67 or styled polymer housing fulfill requirements in a variety of factory environments
- A long-life battery option creates a versatile mobile weighing solution
- Included application-specific software provides out of the box functionality for a variety of weighing applications



IND231 terminal with plastic housing (IP54)

High visibility LCD display

- 40mm high weight display with white backlight. The bright backlight can be adjusted based on the ambient light conditions.
- Intuitive icons on the display provide instant operational status indication and one keypress navigation to common functions.
- Included adjustable mounting bracket allows for optimized viewing angle.

Support for mobile weighing

- Flexible battery option facilitates use in mobile weighing applications.
- Power saving electronics minimize power consumption, prolongs battery life and decrease the cost of ownership.



IND236 terminal with rugged stainless steel housing (IP66/67)

Fast and easy operation

- Rugged polyester membrane keypad with responsive tactile feedback.
- Pre-defined, application specific print templates provide a quick transaction record.
- Simply and easily assign the function key allowing for fast switching between weighing modes via a single key press.
- Simple configuration via clearly defined menu navigation keys.

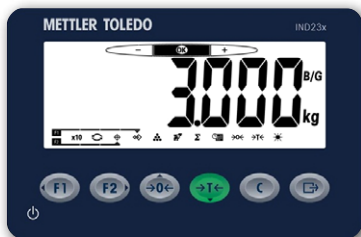
Flexible connectivity

In addition to one standard RS232 port, an additional connectivity option can be added:

- RS232/RS422/RS485
- USB device
- Discrete I/O

Standard Applications

IND231 and IND236 terminals are not only an excellent choice for basic weighing applications, but are also designed to support different application-specific requirements such as checkweighing, counting, animal weighing, and weight accumulation. Pre-defined application specific print templates, including date and time information, provide a record of the transaction or integration into PC based software applications.



Over/Under checkweighing

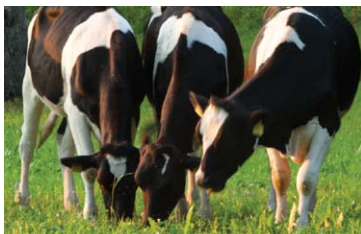
Faster and efficient Over/Under Checkweighing operation:

- 10 stored targets with easy configuration and editing.
- Fast target recall via a single function key.
- Clear indication of Over/Under status via graphic weight status symbol.
- Ability to assign discrete outputs to target status, allowing for control of signal lights or other peripheral devices.



Counting with APW enhancement

- Average piece weight (APW) enhancement provides a more accurate counting result. As the number of weighments increase, the counting accuracy automatically increases.
- Easy switching between piece count and total weight.
- Quick recall of average piece weight and reference weight.



Animal weighing

- Animal weighing mode is quickly activated via the user defined function key.
- Fixed weighing averaging time interval, with averaged weight displayed until next weighing transaction is activated.
- Application specific print template automatically printed, resulting in increased productivity via hands-free operation

Date	YYYY.MM.DD	
Time	HH:MM:SS	
Total	XX.XXX	Unit
Count	XX.XXX	
Gross	XXXX.XXX	Unit
Tare	XXXX.XXX	Unit
Net	XXXX.XXX	Unit

Accumulation

- Both manual accumulation and auto accumulation for gross or net weight.
- Accumulation result can be displayed and printed.



Remote display

IND231 and IND236 terminal can function as a remote display for many METTLER TOLEDO industrial weighing terminals. The remote terminal can control the host terminal via clear, tare, zero, and print key presses. The applications on the host terminal continue to function when a remote terminal is connected.

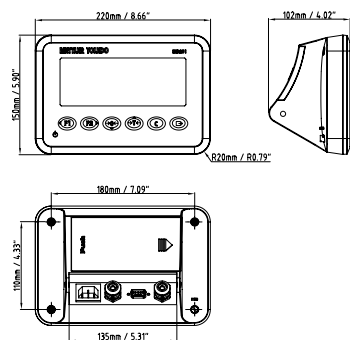
Technical Data



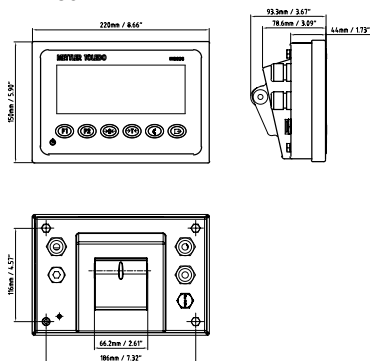
Terminal	IND231	IND236
Dimensions (WxHxD)	220 x 150 x 102mm / 8.66 x 5.90 x 4.02 (inch)	220 x 150 x 93.3mm / 8.66 x 5.90 x 3.67 (inch)
Construction	Plastic	Stainless Steel
Mounting	Mounting to wall, desks or column via included adjustable angle mounting bracket	
Power	AC: 85-264VAC; 50Hz-60Hz	
	Six*AA-size battery or Ni-MH rechargeable battery	Ni-MH rechargeable battery
Operating Environment	-10°C to +40°C (14°F to 104°F), 10% to 95% relative humidity, non-condensing	
Protection	IP54	IP66/IP67
Display	40mm high weight display, seven digits seven segment LCD with white backlight	
Scale Interface	one analog scale	
Load Cell	Up to 4 350ohm load cells, 5V excitation	
Units of Measure	g, kg, lb, oz	
Keypad	Seven function keys: Zero, Tare, Clear, On/Off, Print, F1 & F2 (definable)	
Communication Options	Standard: COM1 RS232	
	Option: COM2 isolated RS232/RS422/RS485	
	COM2 USB device for connection to PC COM2 2 input/ 4 output Discrete I/O	
Application	Basic Weighing, X10, Date & Time, Animal weighing, Counting with APW enhancement, Over/Under checkweighing with 10 records database, Accumulation, Remote display	
Approvals	Class III: OIML6000e, NTEP10,000d, CMC6000e, CE, cULus	
Accessories	Desk bracket, terminal protection cover	

Dimensions (mm/inch)

IND231



IND236



www.mt.com/IND231-IND236

For more information



Mettler-Toledo AG

CH-8606 Greifensee
Switzerland

Tel. +41 44 944 22 11

Fax +41 44 944 30 60

Subject to technical changes

© 06/2013 Mettler-Toledo AG

30077535

Printed in P. R. China 2013/03